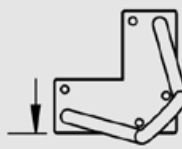


Installing Hairpin Legs

Square Table Applications

1. Turn your table top upside-down on a scratch free surface.
2. Position the leg back from the edge according to the diagrams below.
3. Mark the positions of the holes in the mounting plate with a marker.
4. Attach the hairpin legs with the screws provided. Please note that the screws provided are the proper length for 3/4" to 1.25" thick tops.
5. Flip your completed table over and enjoy!

Coffee or End Table

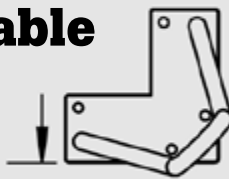


1.5"

R 3.5"

Please note that this measurement will work up to a 3.5" radius corner.

Dining Table



2"

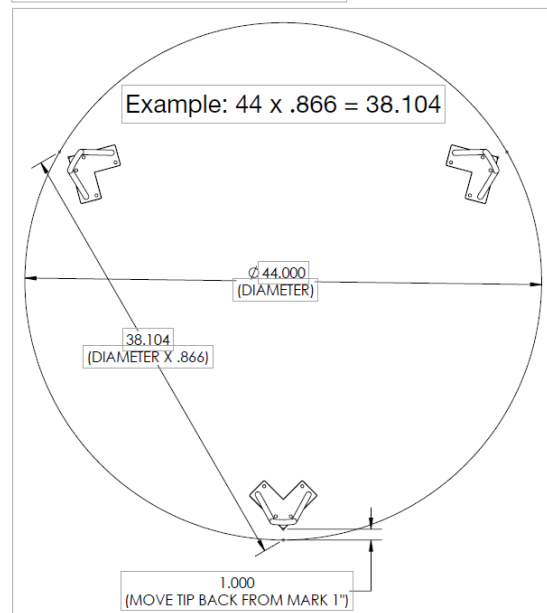
R 3.5"

Please note that this measurement will work up to a 3.5" radius corner.

Round Table Applications

1. Turn your table top upside-down on a scratch free surface.
2. Calculate the distance between the legs using the formulas shown.
3. Position the tip of the leg 1" back from the edge of the table.
4. Mark the positions of the holes in the mounting plate with a marker.
5. Attach the hairpin legs with the screws provided. Please note that the screws provided are the proper length for 3/4" to 1.25" thick tops.
6. Flip your completed table over and enjoy!

Positioning 3 Hairpin Legs



Positioning 4 Hairpin Legs

